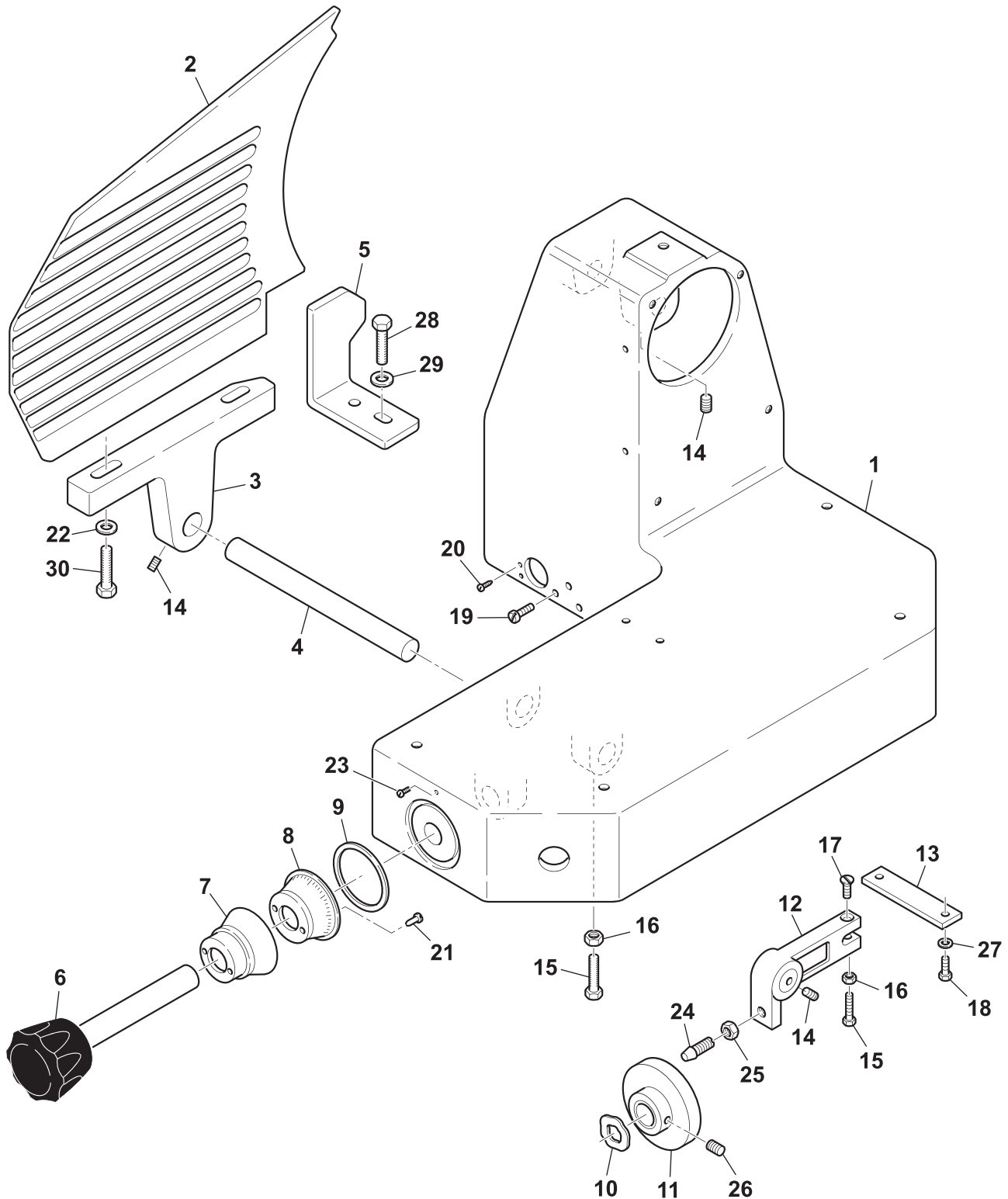


Parts Breakdown

Model MS-IT-0300-CE 46162

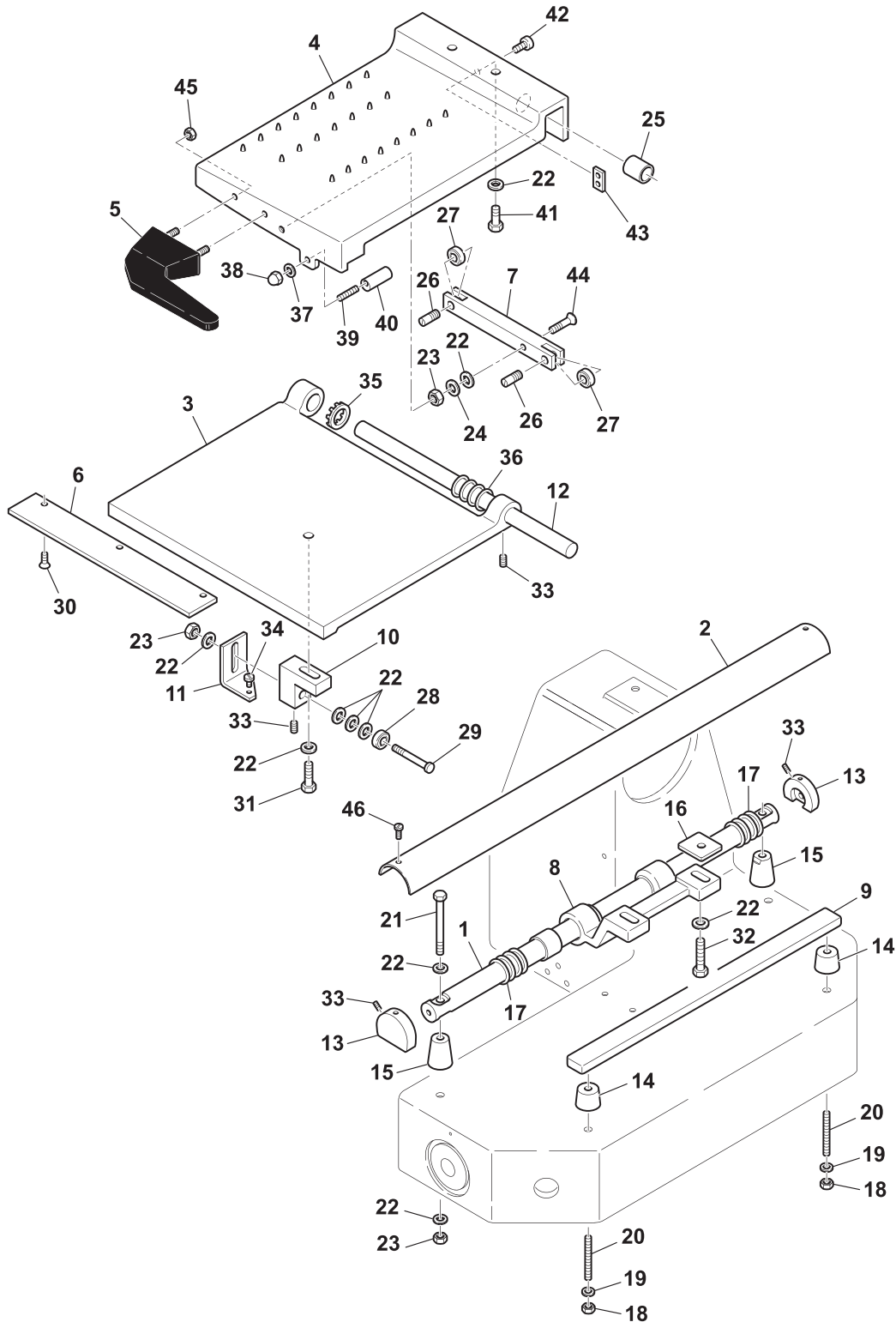
Base



Parts Breakdown

Model MS-IT-0300-CE 46162

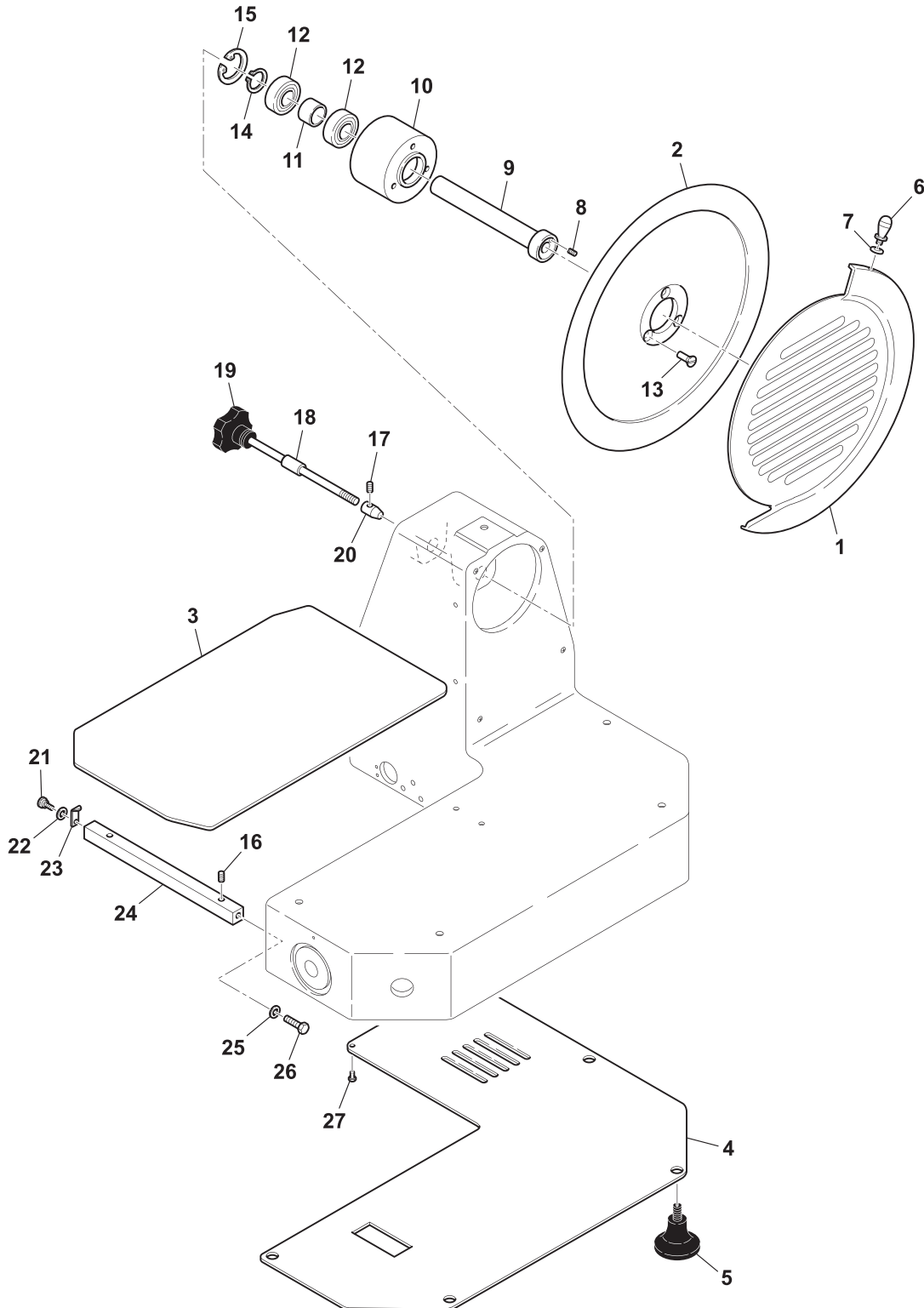
Guide



Parts Breakdown

Model MS-IT-0300-CE 46162

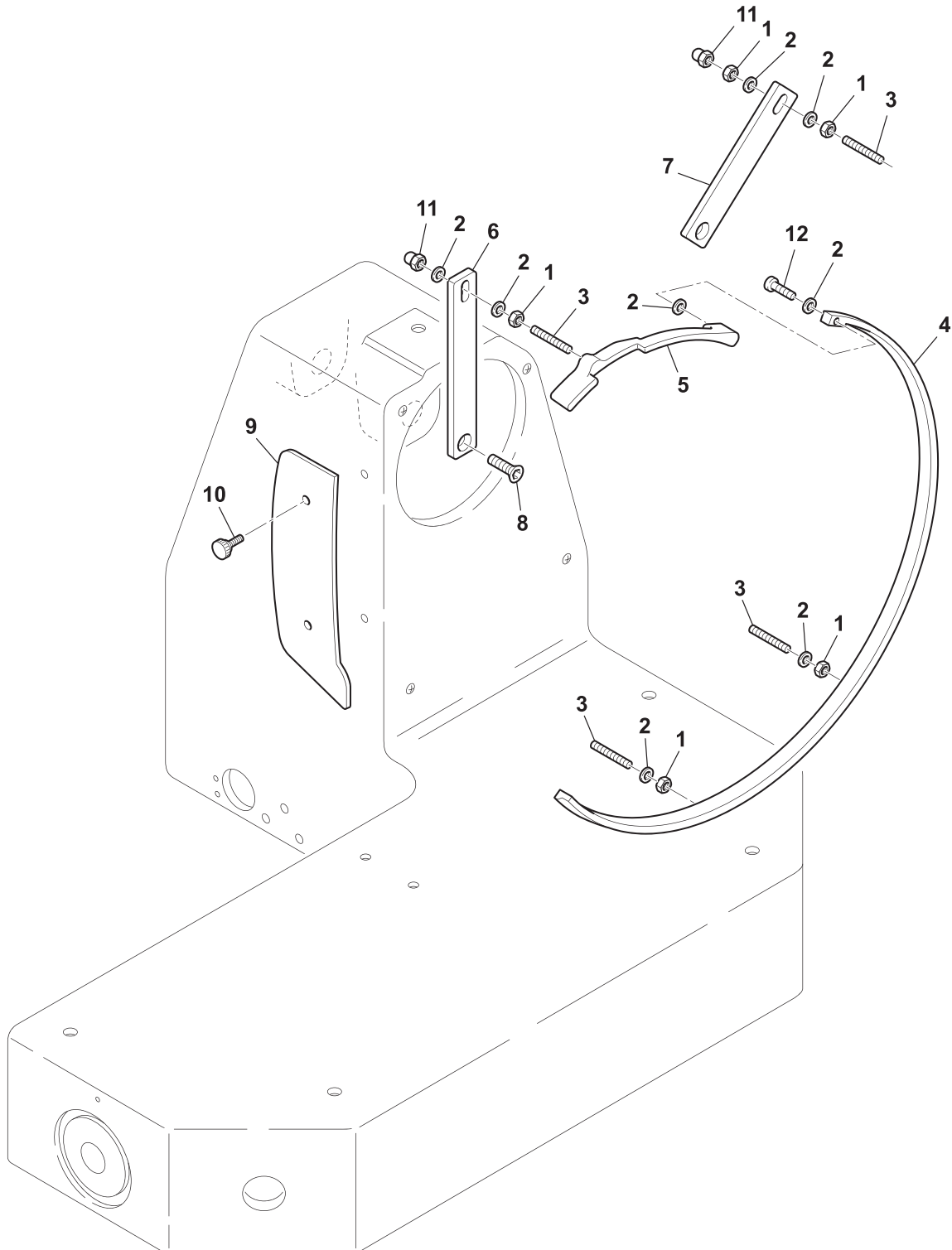
Blade



Parts Breakdown

Model MS-IT-0300-CE 46162

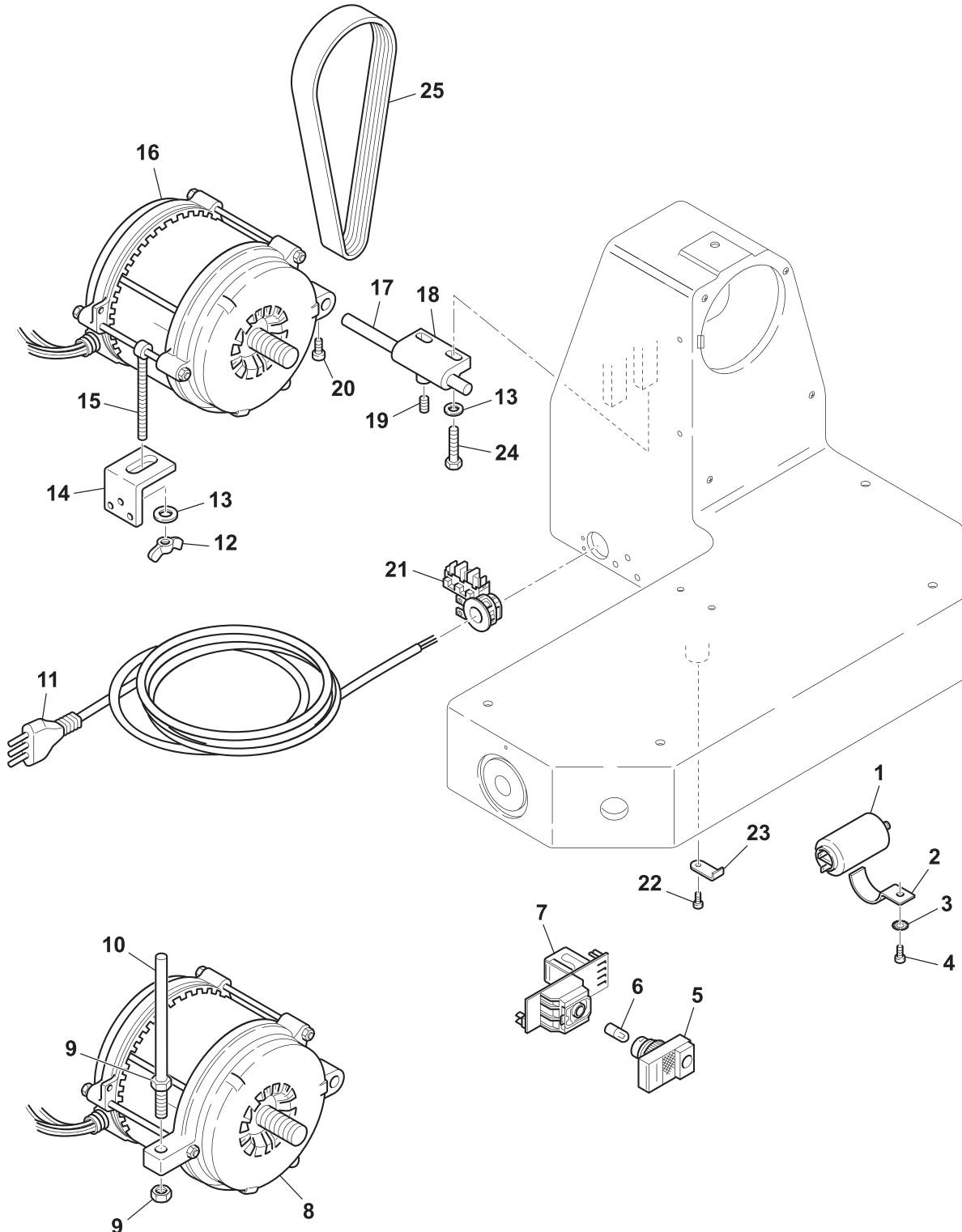
Blade Guard



Parts Breakdown

Model MS-IT-0300-CE 46162

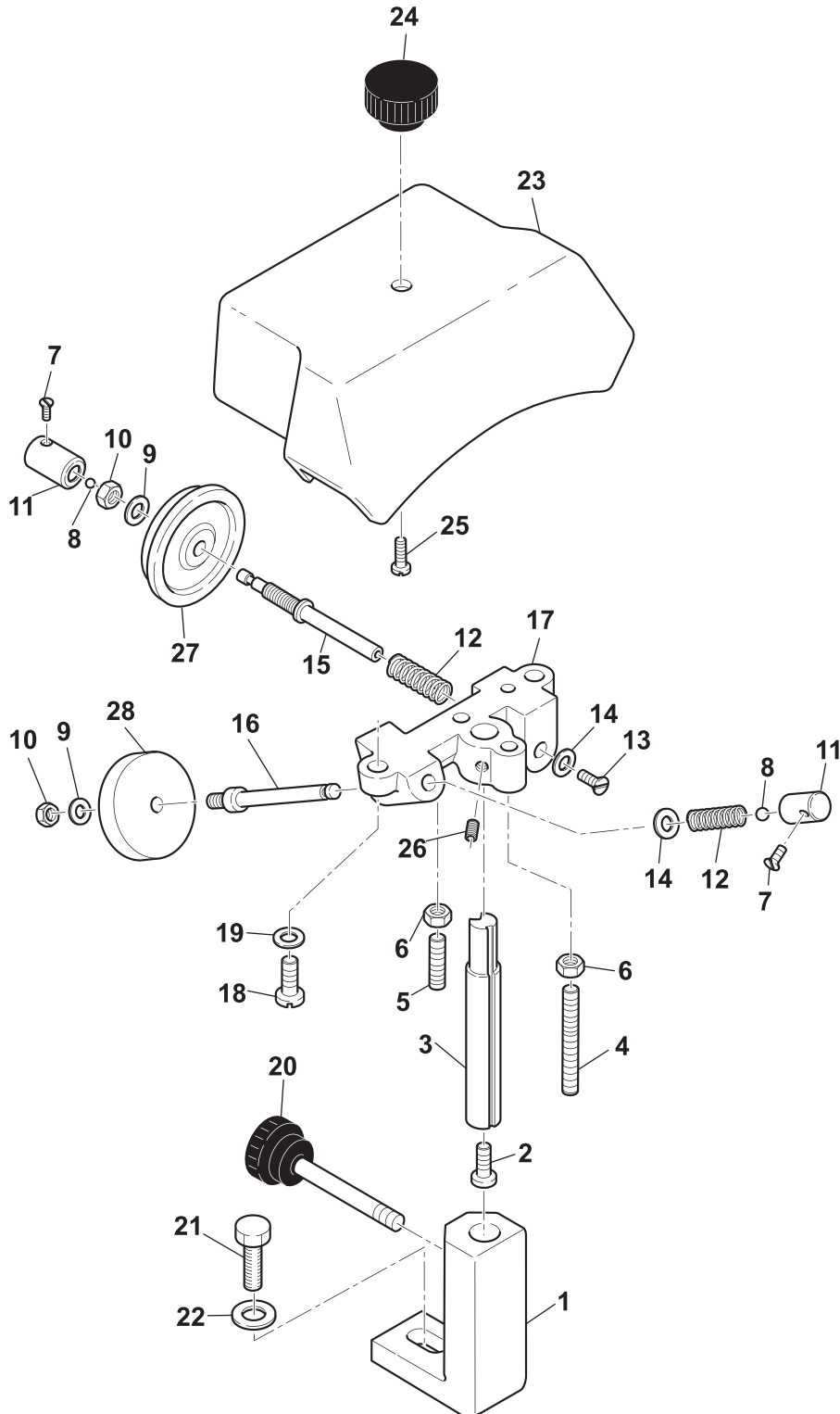
Electrical Components



Parts Breakdown

Model MS-IT-0300-CE 46162

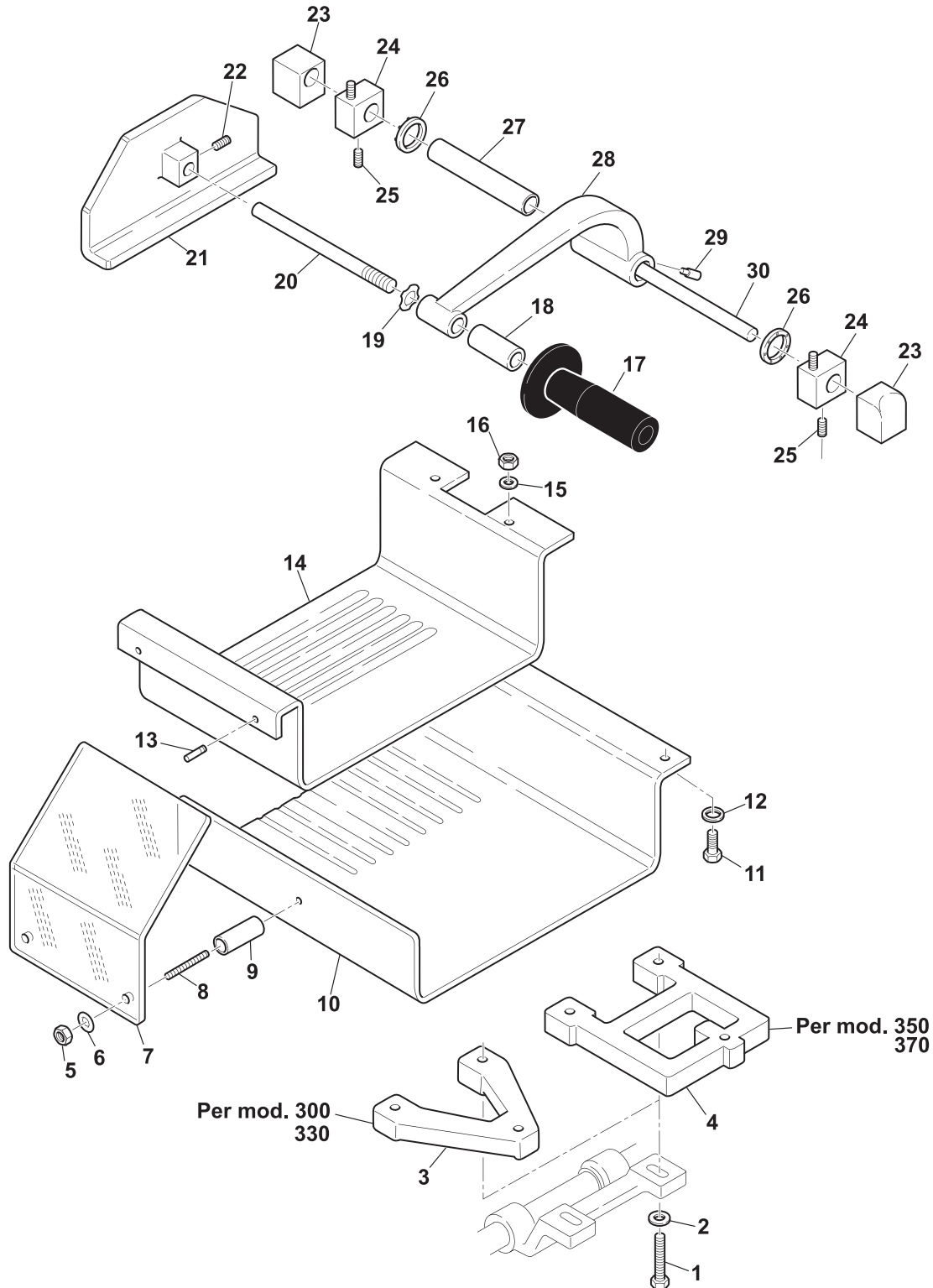
Sharpening Assembly



Parts Breakdown

Model MS-IT-0300-CE 46162

Product Holder Assembly



Parts Breakdown

Model MS-IT-0300-CE 46162

Base

Item No.	Description	Position	Item No.	Description	Position	Item No.	Description	Position
31881	Housing for 46162	1	AG151	Complete Fork for 46162	12	31900	Washer 8 for 46162	22
31882	Guide Plate for 46162	2	AG152	Group Plate for 46162	13	31901	Copper Rivet for 46162	23
31883	Guide Plate Support for 46162	3	31893	Set Screw 8x10 T C for 46162	14	31902	Set Screw - Capped for 46162	24
31884	Guide Plate Shaft for 46162	4	31894	Bolt 5x20 for 46162	15	31903	Nut 8 for 46162	25
AG149	Bracket for 46162	5	31895	Nut 5 for 46162	16	31904	Set Screw 6x8 TP for 46162	26
AG150	Graduated Knob for 46162	6 - 8, 21	31896	Screw TPSV 5x10 for 46162	17	31905	Washer 5 for 46162	27
31887	Index Knob Bushing for 46162	9	31897	Screw TC 5x10 for 46162	18	31906	Screw TE 6x12 for 46162	28
31888	Wavy Washer for 46162	10	31898	Screw TE 6x12 for 46162	19	31907	Washer 6 for 46162	29
17851	Cam for 46162	11	31899	Tapping Screw 2.9x12 for 46162	20	31908	Screw TE 8x40 for 46162	30

Guide

Item No.	Description	Position	Item No.	Description	Position	Item No.	Description	Position
AG153	Round Bar for 46162	1	31925	Slide Bar Spring for 46162	17	31941	Set Screw 5x8 T C for 46162	33
31910	Slide Bar Cover for 46162	2	31926	Nut 6 for 46162	18	31942	Set Screw PVC for 46162	34
31911	Bottom Plate for 46162	3	31927	Washer 6 for 46162	19	31943	Rubber Washer 15 for 46162	35
31912	Top Plate for 46162	4	31928	Set Screw 6x30 for 46162	20	31944	Carriage Plate Spring for 46162	36
17863	Carriage Handle for 46162	5	31929	Screw TE 8x40 for 46162	21	31945	Washer 5 for 46162	37
31914	Flat Bar for 46162	6	31930	Washer 8 for 46162	22	31946	Acorn Cap for 46162	38
31915	Bearing Support Bar for 46162	7	31931	Nut 8 for 46162	23	31947	Set Screw 5x20 TP for 46162	39
31916	Carriage Support for 46162	8	31932	Washer 8 for 46162	24	31948	Set Screw PVC for 46162	40
31917	Carriage Rail for 46162	9	31933	Bushing for 46162	25	31949	Screw TE 8x20 for 46162	41
AG155	Underplate Pipette for 46162	10	31934	Set Screw 6x12 for 46162	26	31950	Screw TPSV 4x10 for 46162	42
AG156	Plate Supp Bearing for 46162	11	AG158	Bearing 626 X2 for 46162	27	31951	Flat Latch for 46162	43
31920	Carriage Plate Rod for 46162	12	AG159	Bearing 608 for 46162	28	31952	Threaded Stud 8 for 46162	44
AG157	Round Bar Cover for 46162	13	31937	Bearing Pin 8 for 46162	29	31953	Nut 6 for 46162	45
31922	Rail Support for 46162	14	31938	Screw TPSV 5x10 for 46162	30	31954	Screw TC 4x5 for 46162	46
31923	Slide Bar Support for 46162	15	31939	Screw TE 8x20 for 46162	31			
31924	Spacer Plate for 46162	16	31940	Screw TE 8x25 for 46162	32			

Parts Breakdown

Model MS-IT-0300-CE 46162

Blade

Item No.	Description	Position	Item No.	Description	Position	Item No.	Description	Position
AG160	Blade Cover for 46162	1	31964	Pulley for 46162	10	31973	Tie Rod Spacer for 46162	20
63974	Slicer Blade 300mm 40mm Bore 3 Bore Holes 250mm Cover for 46162	2	31965	Bearing Spacer for 46162	11	31974	Thumb Screw for 46162	21
31957	Aluminum Plate for 46162	3	AG163	Bearing 6004 2RS for 46162	12	31975	Washer for 46162	22
31958	Bottom Cover for 46162	4	31967	Clip for 46162	14	31976	Plate Stop for 46162	23
31959	Foot for 46162	5	31968	Clip for 46162	15	31977	Support Rail for 46162	24
AG161	Knob All.ZIGR. Blade Cover for 46162	6	31969	Set Screw for 46162	16	31978	Washer 8 for 46162	25
31961	Washer 4 for 46162	7	31970	Set Screw 6x8 TC for 46162	17	31979	Screw TE 8x20 for 46162	26
31962	Set Screw 5x8 TP for 46162	8	31971	Set Screw PVC for 46162	18	31980	Tapping Screw for 46162	27
AG162	Spindle Pin for 46162	9	32194	Tie Rod for 46162	19			

Product Grip

Item No.	Description	Position	Item No.	Description	Position	Item No.	Description	Position
31981	Support for Pusher Arm for 46162	1	31993	Spring 9x15 for 46162	13	32005	Washer 4x25 for 46162	25
31982	Washer 8 for 46162	2	AG165	Brake Register for 46162	14	AG168	Bearing 608ZZ for 46162	26
31983	Screw TE 8x20 for 46162	3	31995	Presser Brake for 46162	15	32007	Bearing Spindle for 46162	27
31984	Set Screw 5x20 for 46162	4	AG166	Paradite Plexiglass for 46162	16	32008	Pusher Arm for 46162	28
31985	Set Screw 5x16 for 46162	5	17862	Meat Grip Handle for 46162	17	32009	PVC Washer 15x25 for 46162	29
31986	Set Screw 6x8 TC for 46162	6	31998	Screw TPSV 4x10 for 46162	18	32010	Presser Spacer for 46162	30
31987	Rod Brake for 46162	7	31999	Screw TPSV 45x12 for 46162	19	AG169	Meat Press for 46162	31
31988	Set Screw 6x19 for 46162	8	32000	Presser Handle Bracket for 46162	20	32012	Set Screw 6x6 TC for 46162	32
31989	Spring 3.5x19 for 46162	9	AG167	Astina C / Seiger Unlock Arm for 46162	21	AG170	Meat Presser Rod for 46162	33
31990	Spring 13.5x10 for 46162	10	32002	Screw Chrome for 46162	22	32014	Hex Pin 8x31 for 46162	34
31991	Iron Plate for 46162	11	32003	Washer 8 for 46162	23	32015	Locking Nut for 46162	35
AG164	Brake Pin for 46162	12	32004	Screw TPSV 4x10 for 46162	24	AG171	Complete Arm for 46162	

Blade Guard

Item No.	Description	Position	Item No.	Description	Position	Item No.	Description	Position
32017	Nut 5 for 46162	1	32021	Safety Ring Extension for 46162	5	32025	Meat Deflector for 46162	9
32018	Washer 5 for 46162	2	AG182	Left Ring Support for 46162	6	32026	Thumb Screw 5 MA for 46162	10
32019	Set Screw 54x30 5x25 for 46162	3	AG183	Right Ring Support for 46162	7	32027	Acorn Cap for 46162	11
32020	Ring for 46162	4	32024	Set Screw 6x12 for 46162	8			

Parts Breakdown

Model MS-IT-0300-CE 46162

Electrical Components

Item No.	Description	Position	Item No.	Description	Position	Item No.	Description	Position
AG184	Capacitor 300/8 350/6.3 for 46162	1	32035	Wing Nut for 46162	12	32042	Screw TC 4x10 for 46162	20
32029	Capacitor Bracket for 46162	2	32036	Washer 6 A Wide for 46162	13	32043	Terminal Block for 46162	21
32030	Washer 5 for 46162	3	32037	Motor Bracket for 46162	14	32044	Tapping Screw for 46162	22
32031	Screw 5x10 T C for 46162	4	32038	Adjustment Rod for 46162	15	32045	Stop Plate for 46162	23
32032	Switch - On / Off for 46162	5 - 7	32039	Motor Support Shaft for 46162	17	AG188	Belt for 46162	25
AG185	Motor for 46162	9 - 11, 16	AG187	Motor Hinge for 46162	18			
AG186	Cord for 46162	11	32041	Set Screw 5x8 T C for 46162	19			

Sharpening Assembly

Item No.	Description	Position	Item No.	Description	Position	Item No.	Description	Position
AG189	CEPR Pipette for 46162	1	32056	Sharpener Push Button for 46162	11	32066	Screw TE 8x20 for 46162	21
32047	Screw TPSV 6x12 for 46162	2	32057	Spring for 46162	12	32067	Washer 8 for 46162	22
32048	Shaft for Sharpener for 46162	3	32058	Screw TC for 46162	13	32068	Sharpener Cover for 46162	23
32049	Set Screw 5x40 for 46162	4	32059	Washer 3 for 46162	14	AG190	Hood Pommel for 46162	24
32050	Set Screw 5x30 for 46162	5	32060	Sharpener Pin for 46162	15	32070	Screw TC 6x12 for 46162	25
32051	Nut 6 for 46162	6	32061	Sharpener Pin for 46162	16	32071	Set Screw 6x8 TC for 46162	26
32052	Sharpener Screw for 46162	7	32062	Sharpener Body for 46162	17	33553	Finishing Stone for 46162	27
32053	Ball Bearing for 46162	8	32063	Screw TC 4x20 for 46162	18	33032	45x9x6 Sharpening Stone for 46162	28
32054	Washer 6 for 46162	9	32064	Washer 4 for 46162	19			
32055	Nut 6 for 46162	10	32065	Sharpener Tie Rod for 46162	20			

Product Holder Assembly

Item No.	Description	Position	Item No.	Description	Position	Item No.	Description	Position
32073	Screw TE 8x35 for 46162	1	32084	Washer 8 for 46162	12	32094	Set Screw 6x8 TC for 46162	22
32074	Washer 8 for 46162	2	32085	Stud 5 MA for 46162	13	AG195	All Outside Block for 46162	23
32075	Carriage Plate Support V for 46162	3	32086	Carriage Plate - Small for 46162	14	AG196	All Inside Block for 46162	24
32077	Nut for 46162	5	32087	Washer 6x18 for 46162	15	32097	Set Screw 6x8 TC for 46162	25
AG191	Washer 6x18 for 46162	6	32088	Nut 6 for 46162	16	32098	Rubber Washer for 46162	26
AG192	Flat Hand Guard for 46162	7	AG193	Pommel Fly for 46162	17	AG197	Tube X TC Block for 46162	27
32080	Stud 6x50 for 46162	8	AG194	Leg Extension for 46162	18	AG198	Bracket for 46162	28
32081	Spacer for 46162	9	32091	Wavy Washer for 46162	19	32101	Stud PVC for 46162	29
32082	Carriage Plate - Large for 46162	10	32092	Stud 12 MA for 46162	20	32102	Presser Rod for 46162	30
32083	Screw TE 8x20 for 46162	11	32093	Presser Plate for 46162	21			